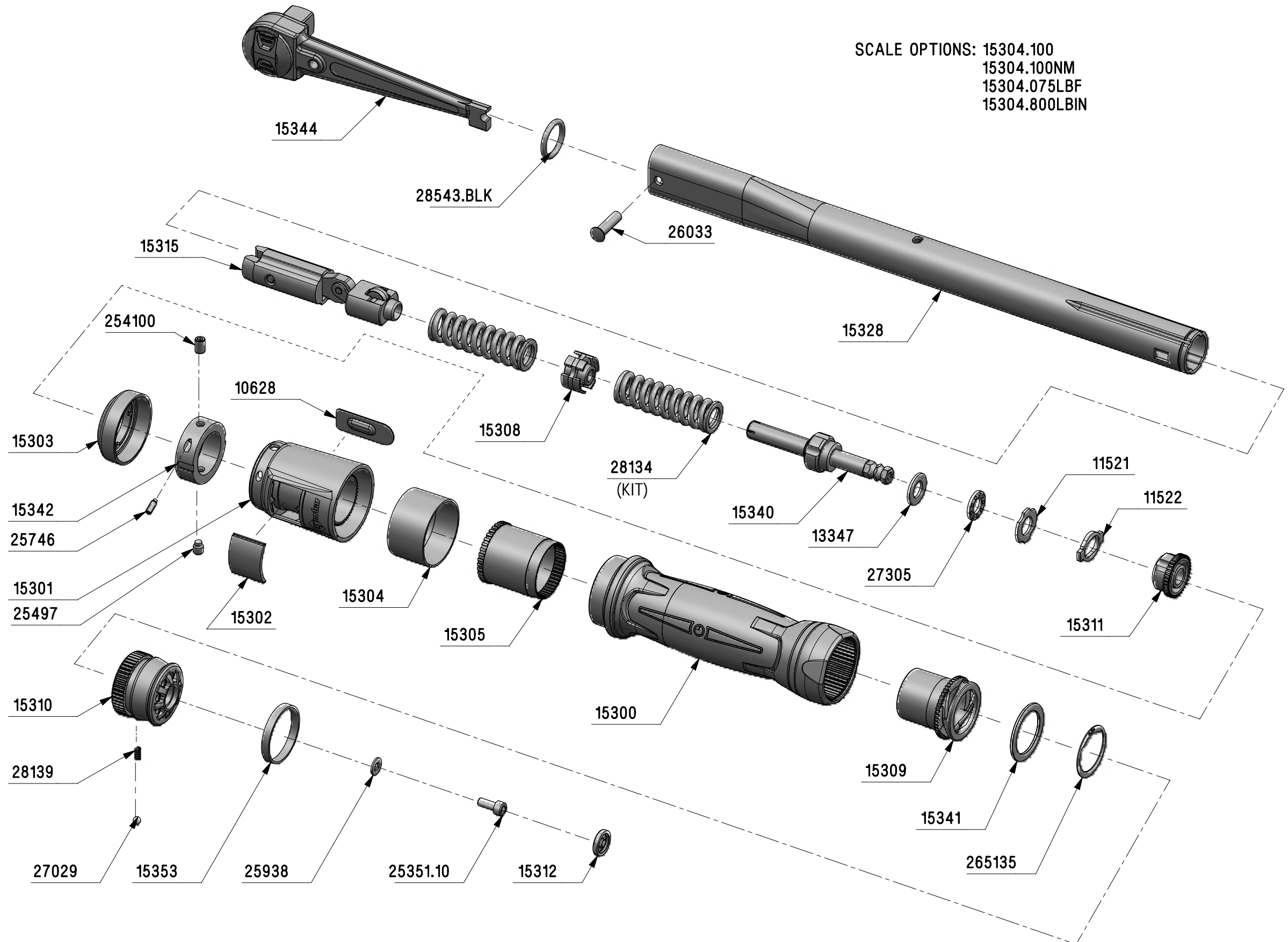


# MODEL 100 PROFESSIONAL 1/2" SQ DR REVERSIBLE RATCHET



# MODEL 100 PROFESSIONAL 1/2" SQ DR REVERSIBLE RATCHET

|           |     |  |
|-----------|-----|--|
| 15344     | 1   | REVERSIBLE RATCHET MDL 100 1/2" SQ DR      |
| 10628     | 1   | TIMESTRIP LABEL 12 X 33                    |
| 25746     | 1   | M3 DOG POINT GRUB SCREW T6 TORX DRIVEN     |
| 254100    | 1   | SCR SKT GRUB M5 x 8 LONG OVAL              |
| 15302     | 1   | SCALE LENS                                 |
| 27029     | 1   | 3.8 MM STEEL BALL                          |
| 28139     | 1   | SPRG/COMP PROFESSIONAL LOCKING KNOB        |
| 15312     | 1   | END CAP                                    |
| 25351.10  | 1   | SHCS M4 x 10 - 12.9 TO ISO 4762            |
| 25938     | 1   | WASHER M4 STD. FLAT TO DIN125/ISO7089      |
| 15353     | 1   | NOTIFICATION BAND                          |
| 15328     | 1   | MODEL 100 PROFESSIONAL BODY TUBE           |
| 15342     | 1   | THRUST WASHER SIDE LOCKING                 |
| 25497     | 1   | SSS M5X5LG DOG POINT -12.9 TO ISO4028      |
| 15301     | 1   | SCALE MECHANISM COVER                      |
| 15305     | 1   | SCALE ROTATING GEAR                        |
| 15300     | 1   | TWO SHOT HANDLE                            |
| 15309     | 1   | CLEARANCE REMOVAL SHAFT                    |
| 15341     | 1   | PUSH PLATE                                 |
| 265135    | 1   | CIRCLIP HANDLE RETENTION PROFESSIONAL      |
| 11522     | 1   | END STOP                                   |
| 15310     | 1   | LOCKING KNOB                               |
| 15311     | 1   | STATIONARY LOCKING GEAR                    |
| 11521     | 1   | SHAPED WASHER                              |
| 27305     | 1   | SPECIAL THRUST BEARING FOR TORQUE WRENCHES |
| 13347     | 1   | TRUTORQUE HARDENED WASHER                  |
| 15340     | 1   | ADJUSTING SCREW ASSEMBLY NEW PROFESSIONAL  |
| 15308     | 1   | SPRING CONNECTING PLATE                    |
| 28134     | 2   | MAIN COMPRESSION SPRING NEW PROFESSIONAL   |
| 26033     | 1   | PIVOT PIN TES 3487                         |
| 28543.BLK | 1   | O RING 15.54 ID 2.62 SECT BLACK            |
| 15303     | 1   | SCALE MECH COVER CAP                       |
| 15304     | 1   | SCALE DISPLAY SLEEVE                       |
| 15315     | 1   | SECONDARY MOTION ASSEMBLY                  |
| Part No   | Qty | Description                                |

