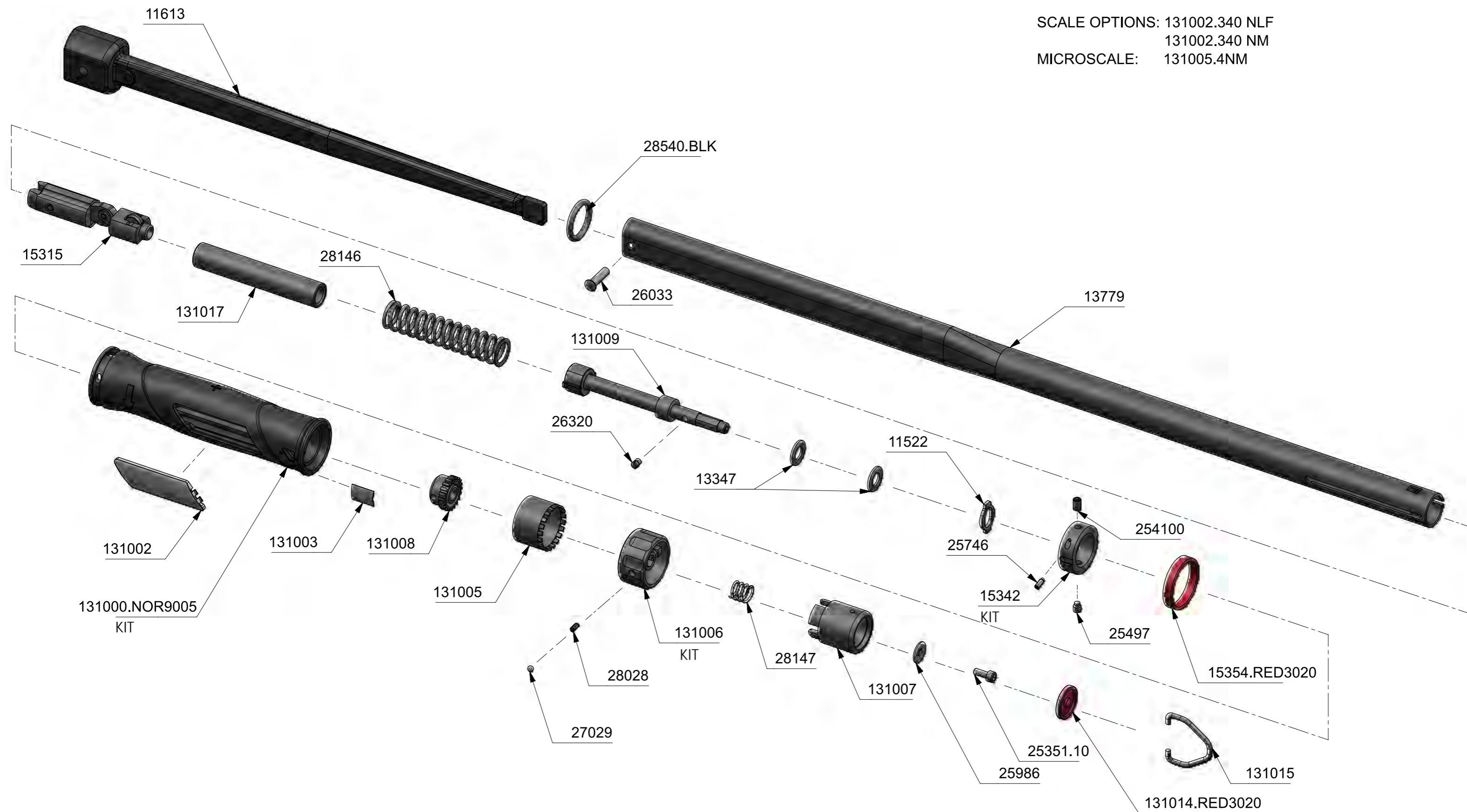
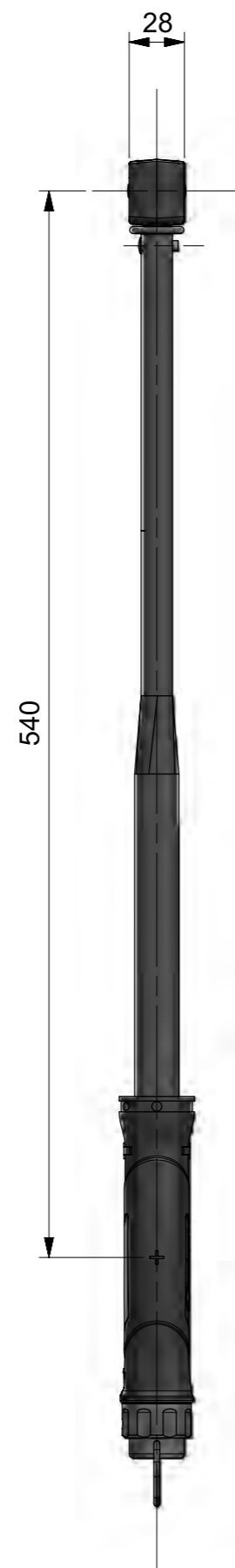
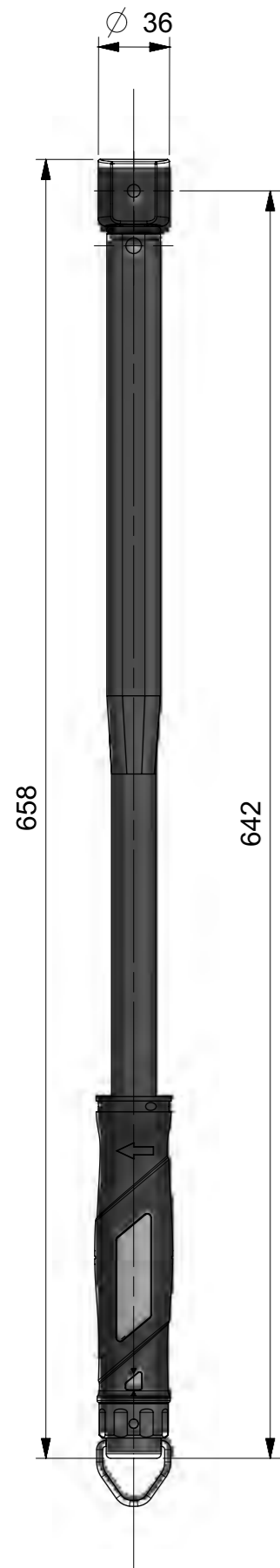


SCALE OPTIONS: 131002.340 NLF
131002.340 NM
MICROSCALE: 131005.4NM



130128 - NORTORQUE MDL 340 14x18 FEMALE END N.m/lbf.ft



28540.BLK	1	O RING 15.47 ID 3.53 SECT BLACK
28147	1	NORTORQUE CLEARANCE REMOVAL SPRING
28146	1	MAIN COMPRESSION SPRING NORTORQUE
28028	1	SPRG/COMP 3DIAx6.35x0.5WD
27029	1	3.8 MM STEEL BALL
26320	1	PIN HALF GROOVED 4MM DIA X 6 LG MILD STEEL
26033	1	PIVOT PIN TES 3487
25986	1	WASHER M4X14X0.8 TYPE L ZINC PLATED
25746	1	M3 DOG POINT GRUB SCREW T6 TORX DRIVEN
25497	1	SSS M5X5LG DOG POINT -12.9 TO ISO4028
254100	1	SCR SKT GRUB M5 x 8 LONG OVAL
25351.10	1	SHCS M4 x 10 - 12.9 TO ISO 4762
15354.RED3020	1	NORTORQUE CALIBRATION HOLE COVER BAND RED RAL3020
15342	1	THRUST WASHER SIDE LOCKING
15315	1	SECONDARY MOTION ASSEMBLY
13779	1	NORTORQUE MODEL 340 BODY TUBE
13347	2	TT HARDENED WASHER
131017	1	SPRING SPACER - MDL 340
131015	1	NORTORQUE/SLIMLINE ADJUSTING KNOB HANGER
131014.RED3020	1	NORTORQUE/SLIMLINE TW LOCKING KNOB END BUNG - RED RAL 3020
131009	1	NORTORQUE/SLIMLINE ADJUSTING SCREW ASSEMBLY - MDL 60, 100, 200
131008	1	STATIONARY GEAR
131007	1	PUSH PULL LOCKING KNOB
131006	1	ADJUSTING KNOB
131005	1	MICRO GEAR
131003	1	NORTORQUE MICRO SCALE LENS
131002	1	MAIN SCALE LENS
131000.NOR9005	1	NORTORQUE HANDLE - NORBAR BLACK RAL9005
11613	1	LVR ARM 300 FEMALE T/H 14mm x 18mm
11522	1	END STOP
Part No	Qty	Description