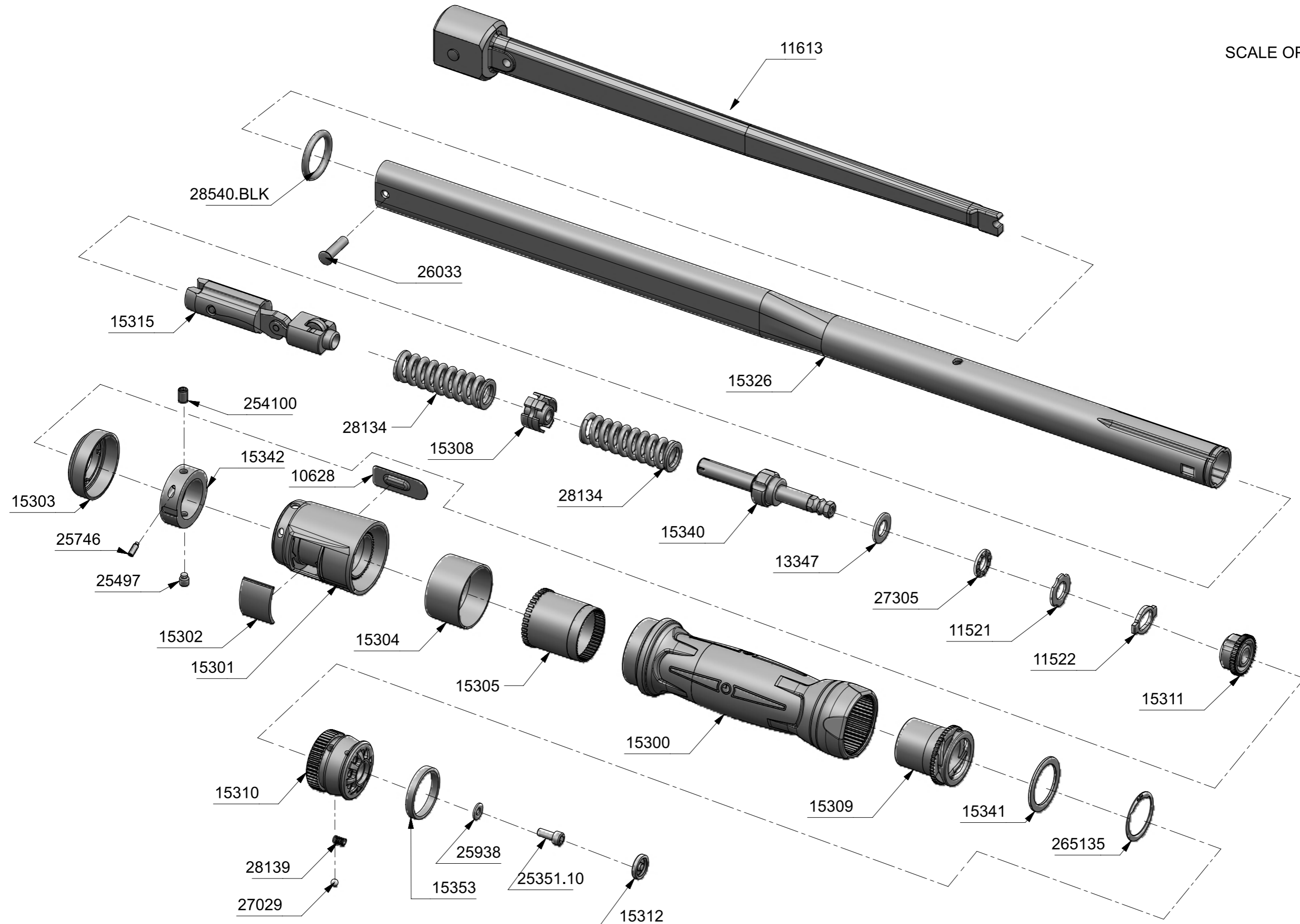


MODEL 300 PROFESSIONAL 14x18 FEMALE END



SCALE OPTIONS: 15304.300
15304.300NM
15304.220LBF
15304.2500LBIN

MODEL 300 PROFESSIONAL 14x18 FEMALE END

| | | |
|-----------|-----|--|
| 11613 | 1 | LVR ARM 300 FEMALE T/H 14mm x 18mm |
| 28540.BLK | 1 | O RING 15.47 ID 3.53 SECT BLACK |
| 10628 | 1 | TIMESTRIP LABEL 12 X 33 |
| 27029 | 1 | 3.8 MM STEEL BALL |
| 28139 | 1 | SPRG/COMP PROFESSIONAL LOCKING KNOB |
| 15353 | 1 | NOTIFICATION BAND |
| 15302 | 1 | SCALE LENS |
| 15312 | 1 | END CAP |
| 25351.10 | 1 | SHCS M4 x 10 - 12.9 TO ISO 4762 |
| 25938 | 1 | WASHER M4 STD. FLAT TO DIN125/ISO7089 |
| 25746 | 1 | M3 DOG POINT GRUB SCREW T6 TORX DRIVEN |
| 254100 | 1 | SCR SKT GRUB M5 x 8 LONG OVAL |
| 15326 | 1 | MODEL 300 PROFESSIONAL BODY TUBE |
| 15342 | 1 | THRUST WASHER SIDE LOCKING |
| 25497 | 1 | SSS M5X5LG DOG POINT -12.9 TO ISO4028 |
| 15301 | 1 | SCALE MECHANISM COVER |
| 15305 | 1 | SCALE ROTATING GEAR |
| 15300 | 1 | TWO SHOT HANDLE |
| 15309 | 1 | CLEARANCE REMOVAL SHAFT |
| 15341 | 1 | PUSH PLATE |
| 265135 | 1 | CIRCLIP HANDLE RETENTION PROFESSIONAL |
| 11522 | 1 | END STOP |
| 15310 | 1 | LOCKING KNOB |
| 15311 | 1 | STATIONARY LOCKING GEAR |
| 11521 | 1 | SHAPED WASHER |
| 27305 | 1 | SPECIAL THRUST BEARING FOR TORQUE WRENCHES |
| 13347 | 1 | TT HARDENED WASHER |
| 15340 | 1 | ADJUSTING SCREW ASSEMBLY NEW PROFESSIONAL |
| 15308 | 1 | SPRING CONNECTING PLATE |
| 28134 | 2 | MAIN COMPRESSION SPRING NEW PROFESSIONAL |
| 26033 | 1 | PIVOT PIN TES 3487 |
| 15303 | 1 | SCALE MECH COVER CAP |
| 15304 | 1 | SCALE DISPLAY SLEEVE |
| 15315 | 1 | SECONDARY MOTION ASSEMBLY |
| Part No | Qty | Description |

